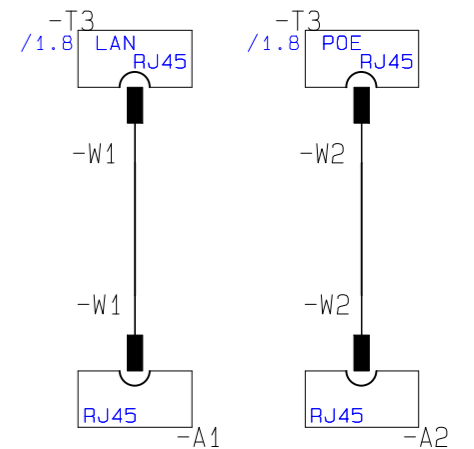
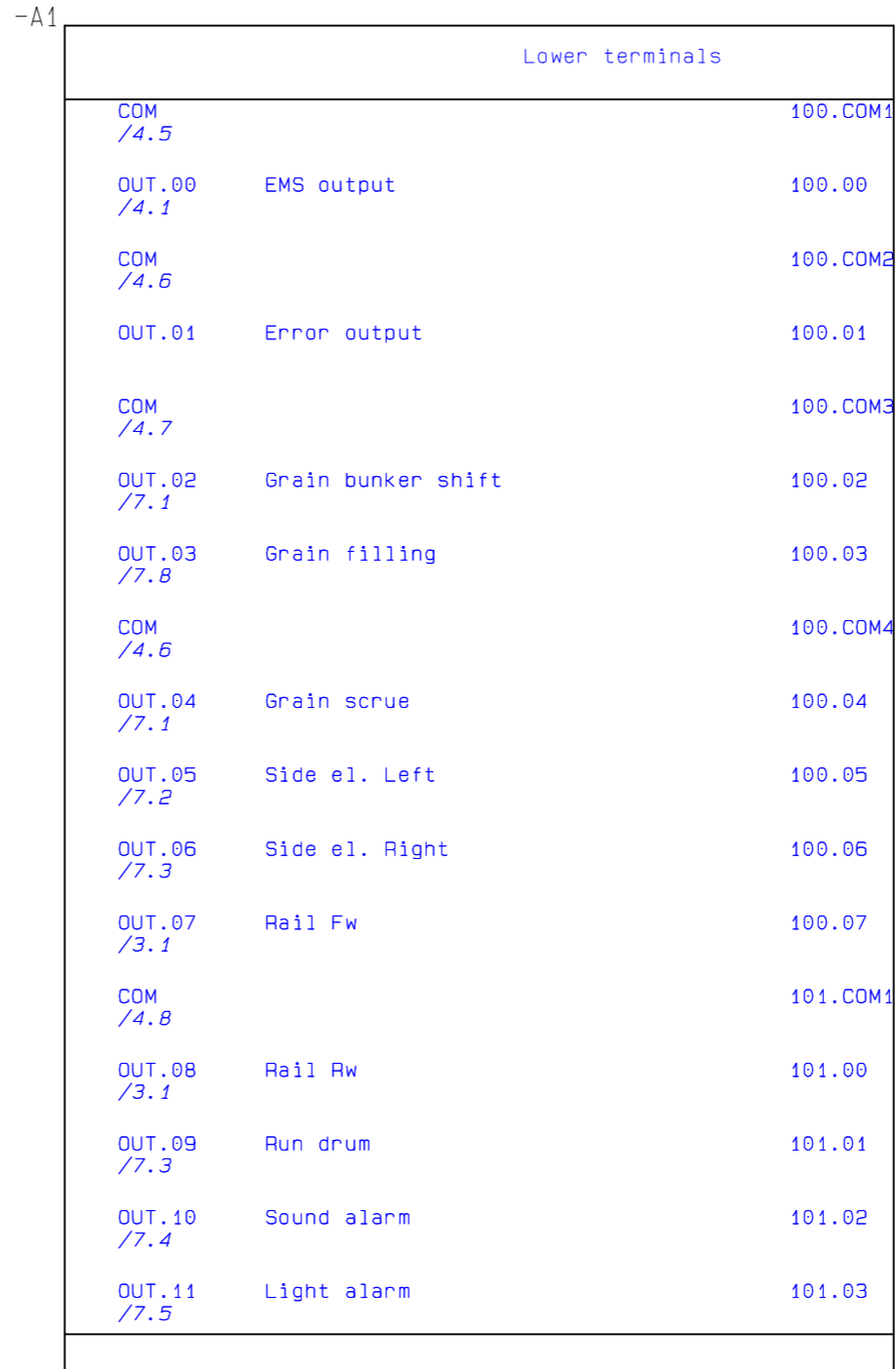
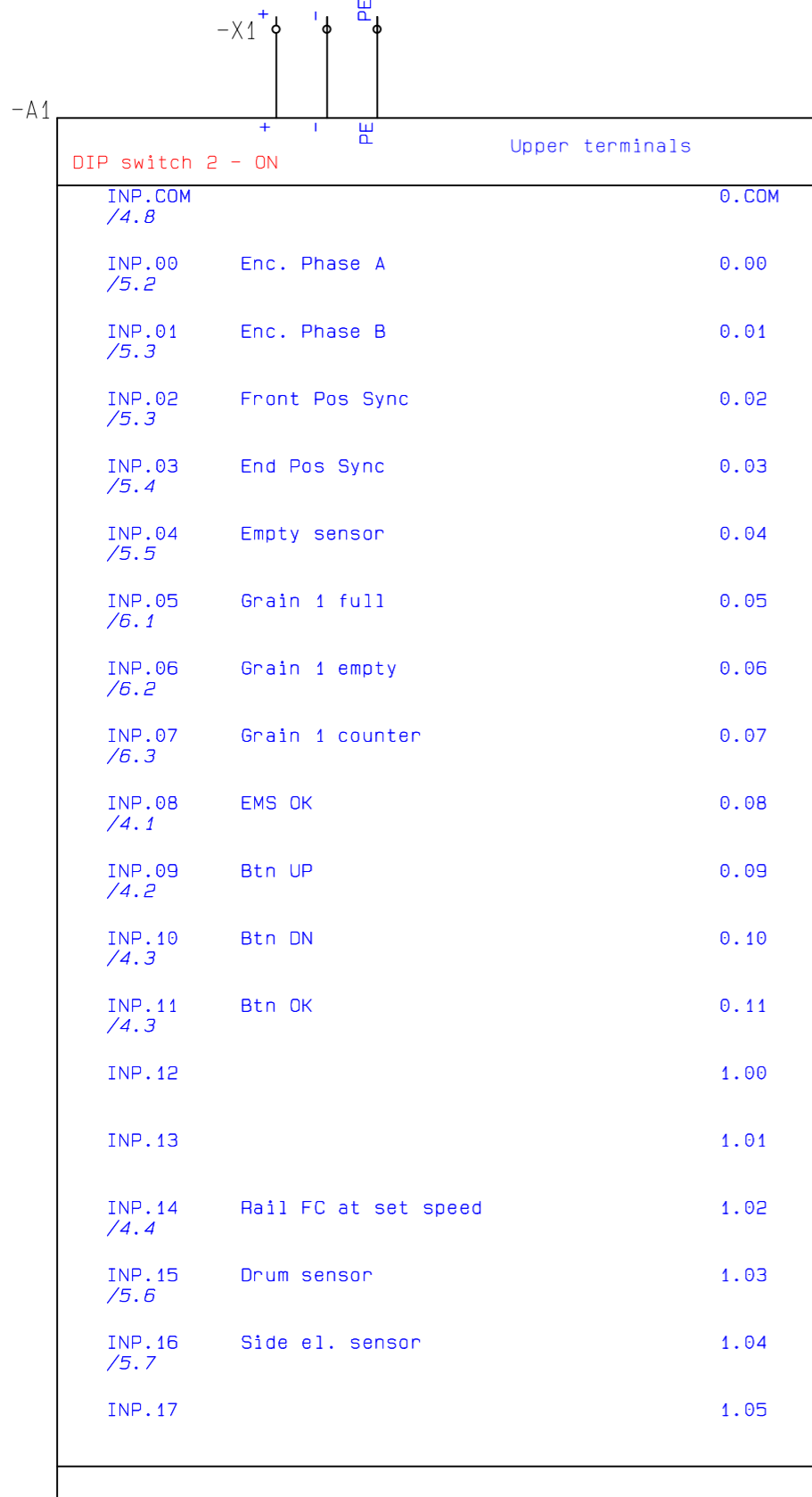
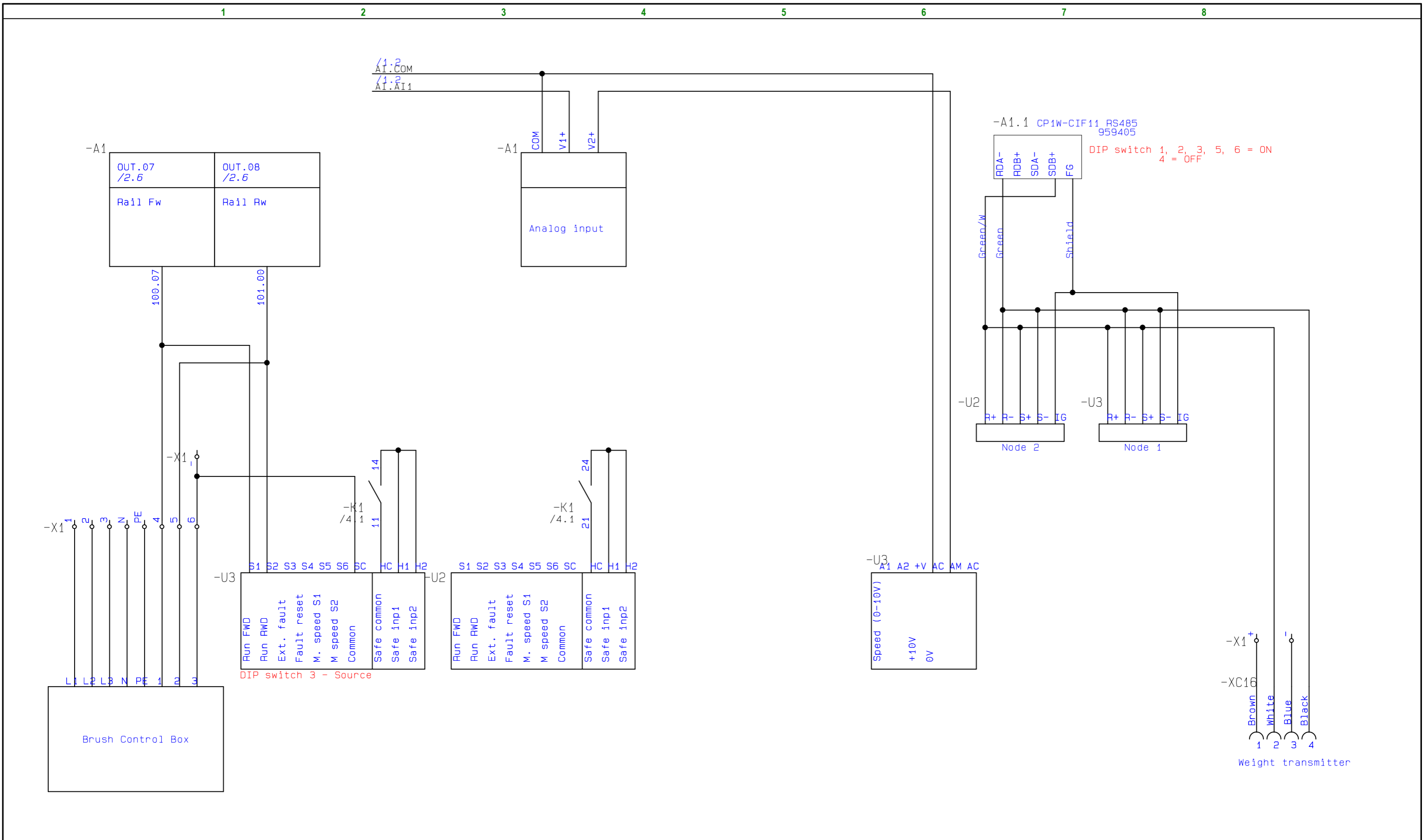


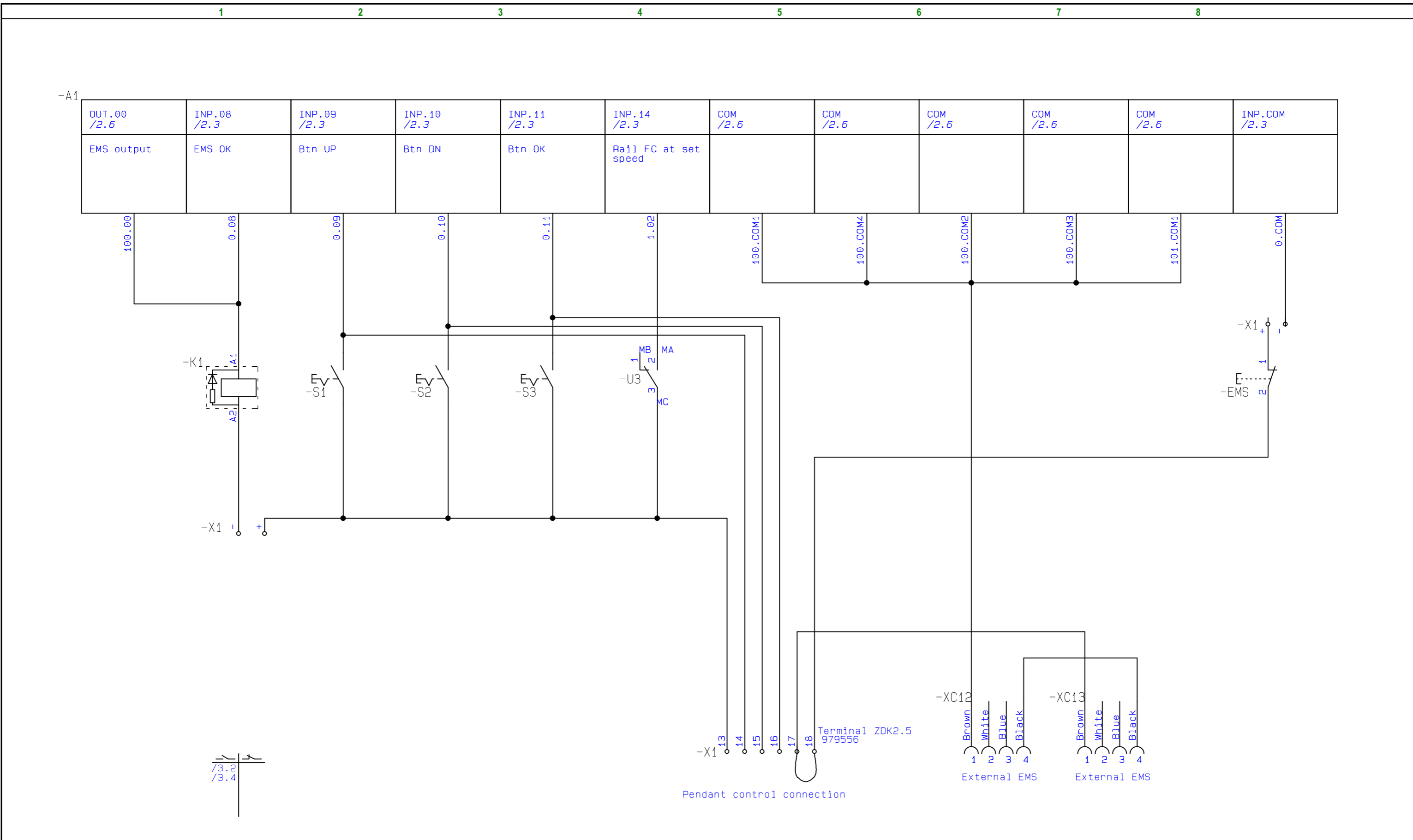
<b>Project title:</b>	<b>EF2019V003</b>	<b>Project no.:</b>	<b>Project rev.:</b>	<b>Page</b>	<b>1</b>
<b>Page title:</b>		<b>Drawing no.:</b>	<b>Page rev.:</b>	<b>Previous page:</b>	
<b>Filename:</b>	EF2019V003	<b>Constructor (project/page)</b>		<b>Last printed:</b>	04.02.2019
<b>Page ref.:</b>		<b>Appr. (date/sign.)</b>		<b>Last correction:</b>	01.02.2019
				<b>Next page:</b>	2
				<b>Number of pages:</b>	9

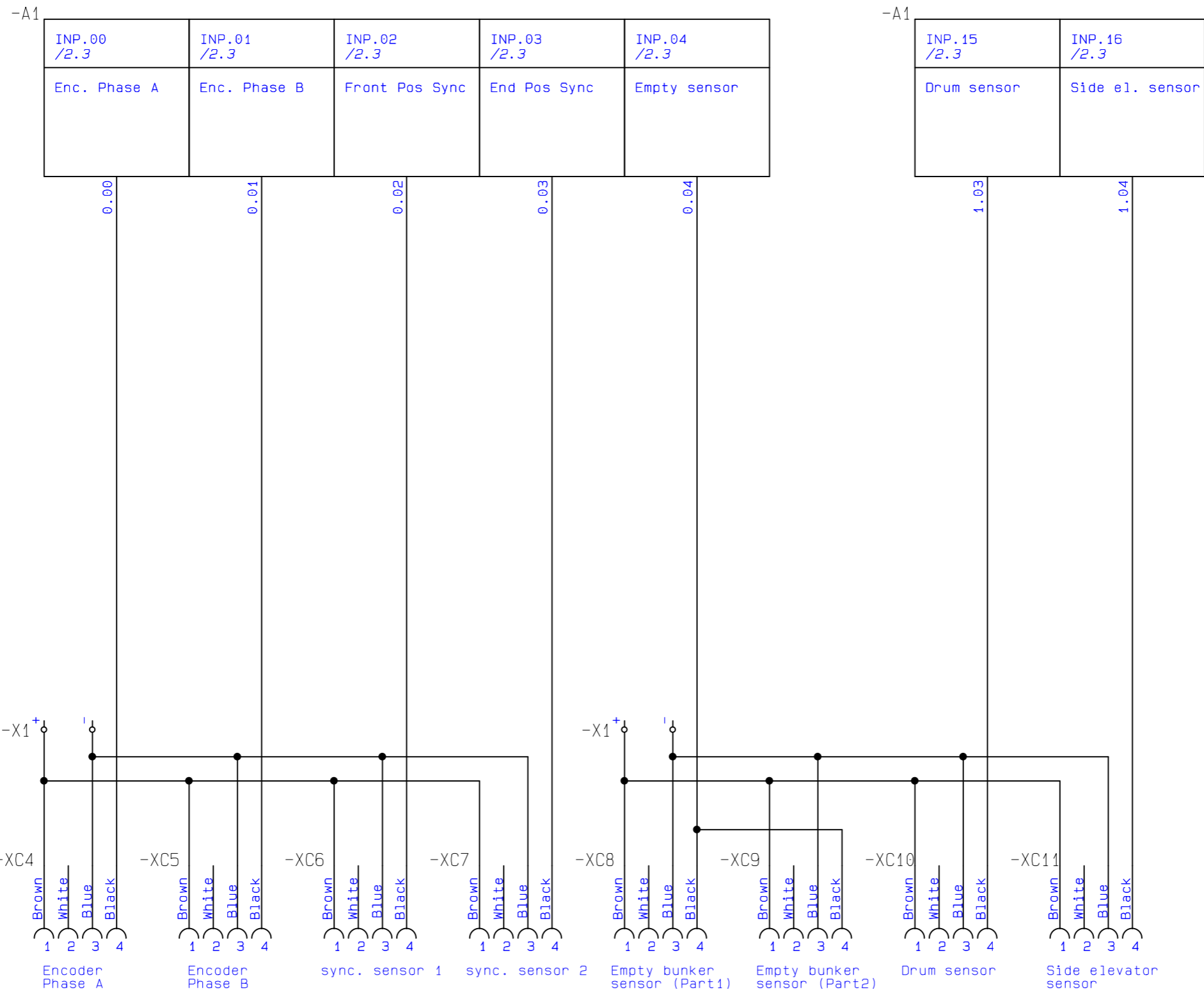
1 2 3 4 5 6 7 8

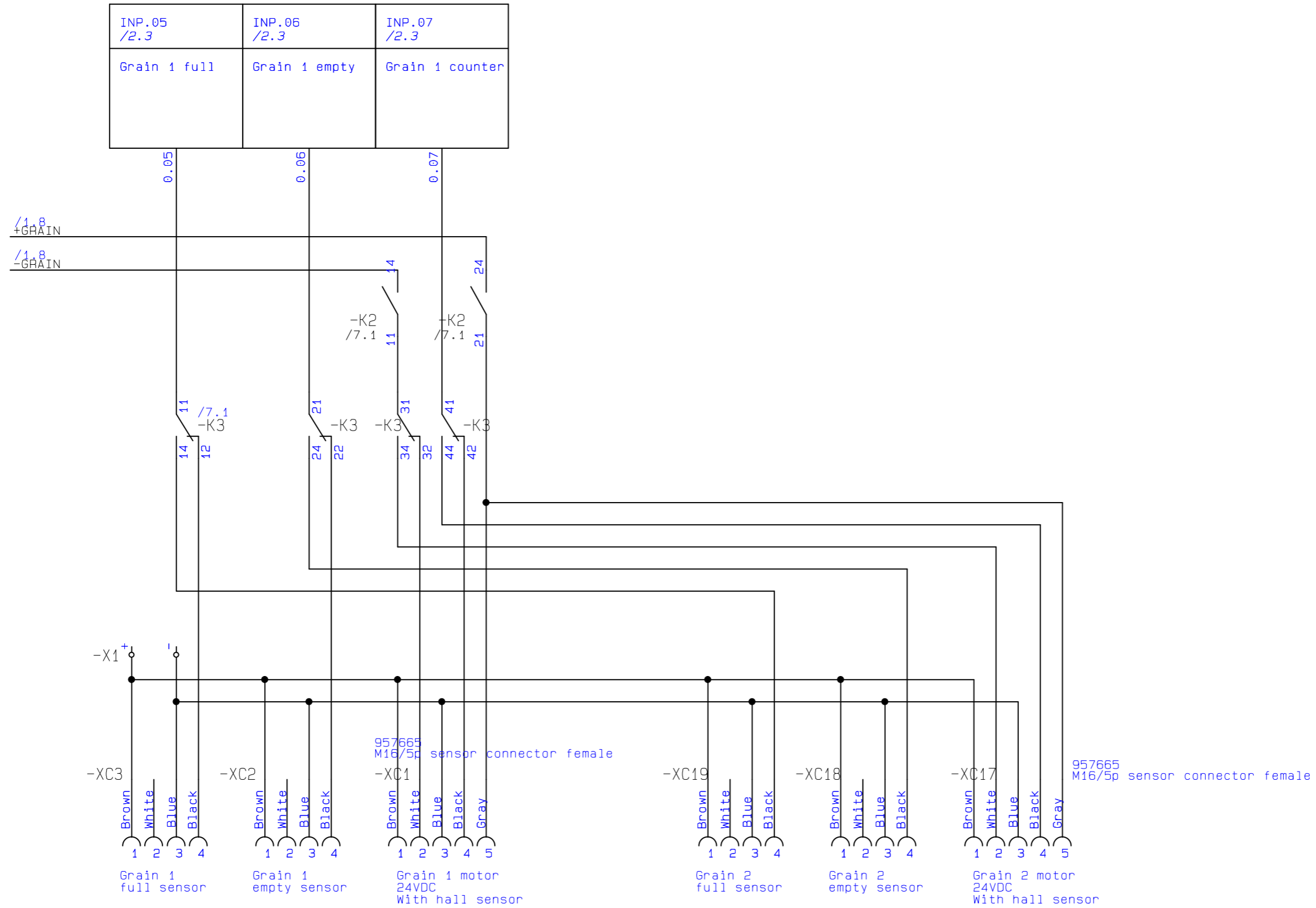


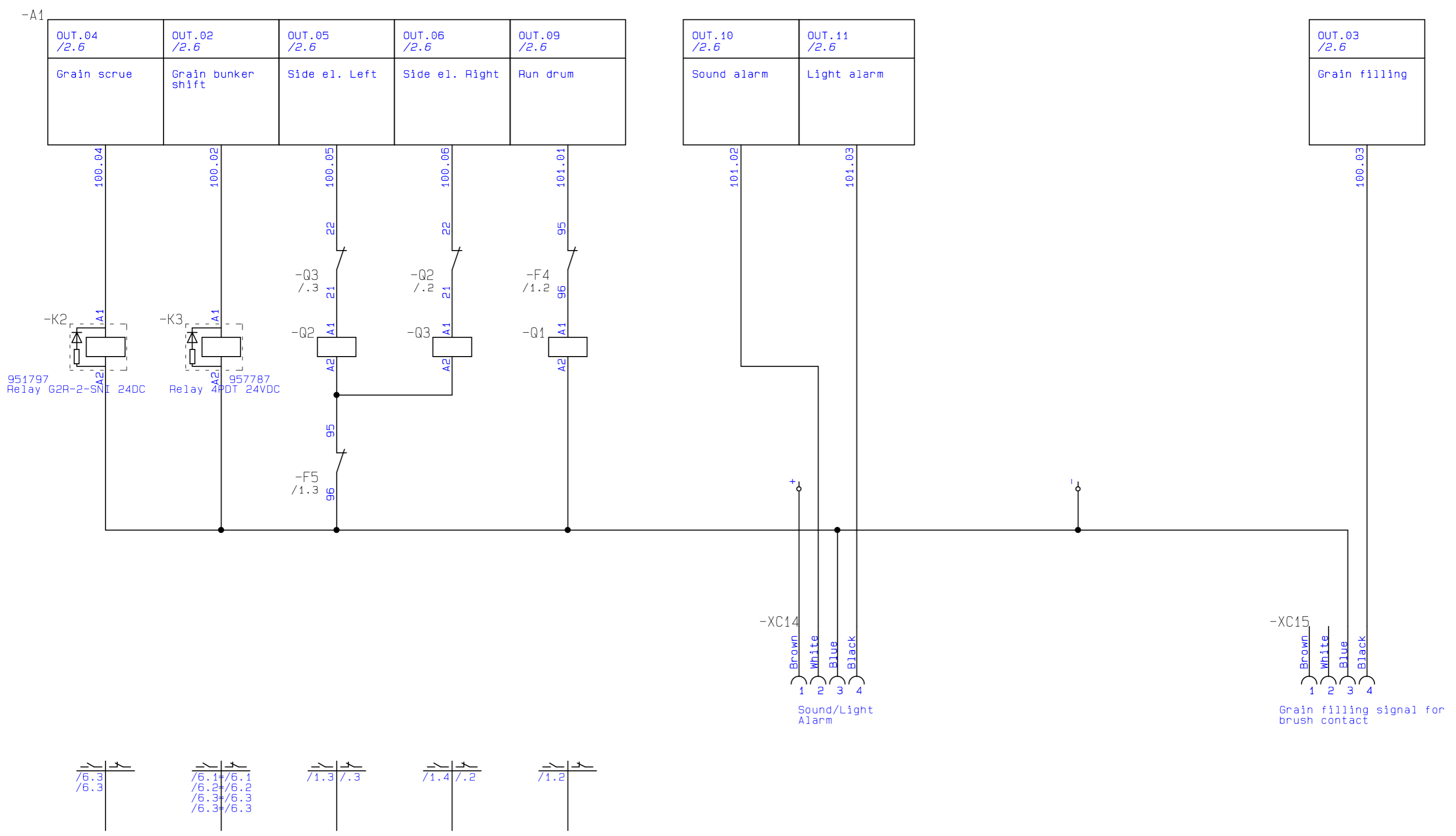
-A1 - PLC  
-A2 - WIFI ACCESS POINT











1

2

3

4

5

6

7

8

